

High Performance G.fast Connectivity

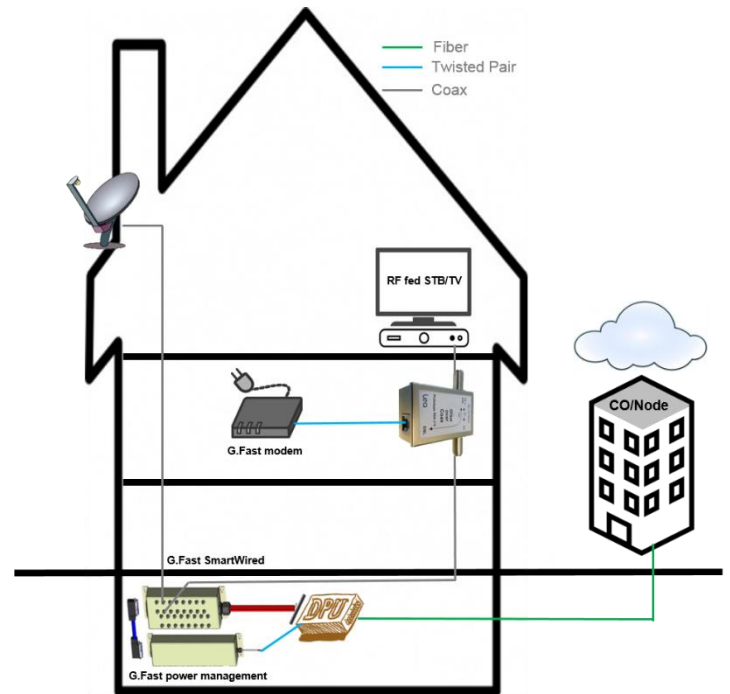


Cat5 SmartWired™ Coax to Video and G.fast splitter

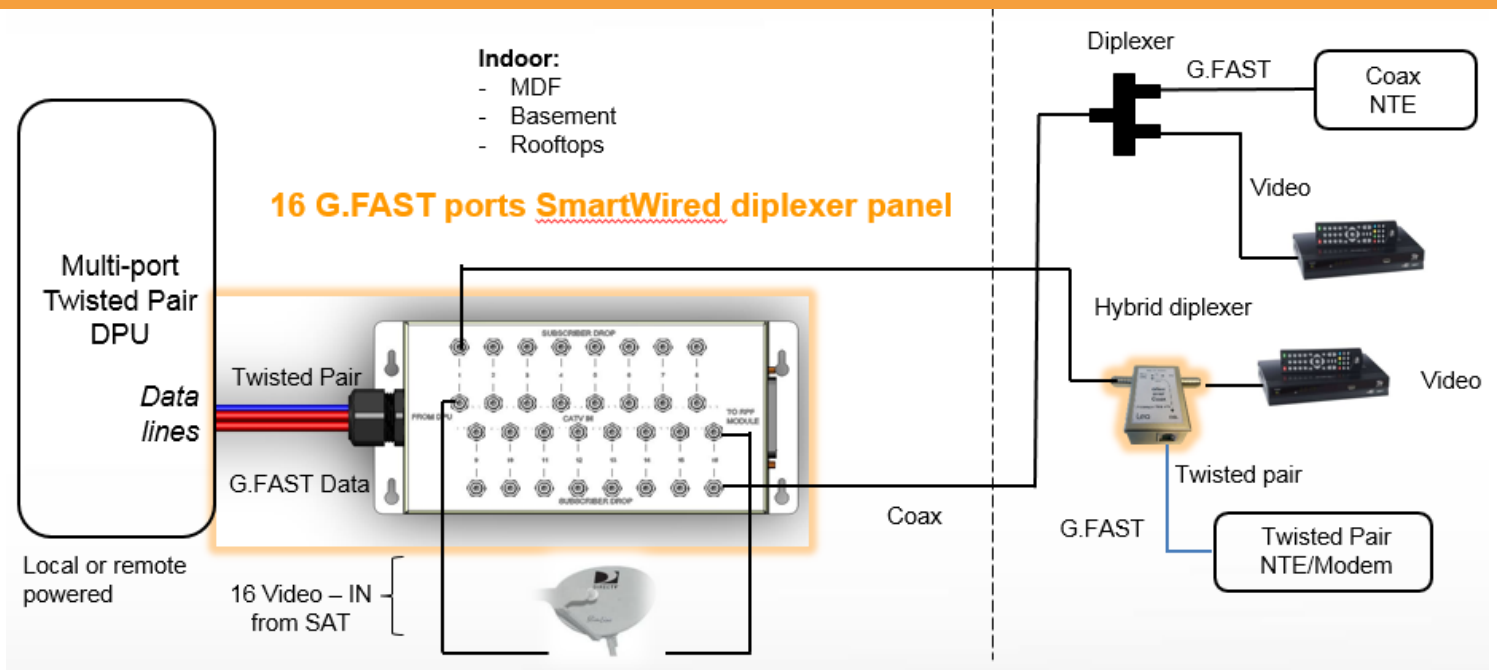
- ✓ Simple, easy, fast and affordable G.fast subscriber installation
- ✓ Eliminates the need of having multiple DPU SKUs for hybrid installations
- ✓ CPE splitter connects to DPU feed, adapts to in home video and G.fast modem
- ✓ In RPF scenarios works in conjunction with LEA's RPF Controller to reverse power feed the DPU
- ✓ Compatible with LEA reverse power feed injector solutions and management

Applications and Key Features

- Specially designed to avoid mixing and disturbance between G.fast, broadcast, and TV signals
- Reduce overall cost of ownership:
 - IT system integration risks
 - Installation time and costs
- RPF only when it is needed, pay-as-you-go on reverse power feed
- Options for:
 - Coax input, TP output for G.fast, Coax output for video
 - Coax input, Coax output for G.fast and video



Pictures and Use Cases



Technical Specifications

G.fast

- ITU-T G.9701
- bandwidth 2-212 MHz
- handshake support (ITU-T G994.1)

TV

- bandwidth 400-2GHz
- TV to G.fast isolation > 50dB

Physical Interface

- Input type F, 75 ohm coax connector, 3/8-32UNEF-2A
- Output type F, 75 ohm coax connector, 3/8-32UNEF-2A
- Output type 2 PIN RJ11

Options

- Coax input, Coax output for G.fast and video
- Coax input, TP output for G.fast, Coax output for video

Casing

- Metal

Port protection

- Case isolation 50-60Hz, Min 1 kVrms
- Lightning to case 100/700 μ s, Max 1.5kV
- Transverse power 50-60Hz, Max 250Vrms

Certification

- CE Marked
- UL 94 V-0
- EN60950
- RoHS

Environment

- Operating Temperature: 23⁰ F to 113⁰ F (-5⁰ C to 45⁰ C)
- Storage Temperature: -40⁰ F to 176⁰ F (-40⁰ C to 80⁰ C)
- Relative humidity 5% to 95%

Physical

- Dimensions: 2.9 x 2.2 x 1.1" (75 x 56 x 27mm)
- Weight: 4.2oz. (120g)