

# High Performance G.fast Connectivity

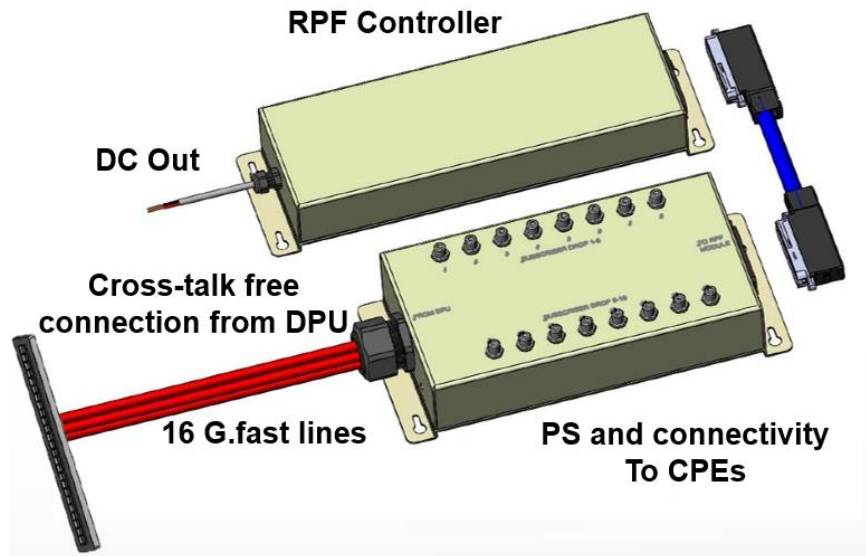


## Cat5 SmartWired™ Twisted Pair to Coax Converter

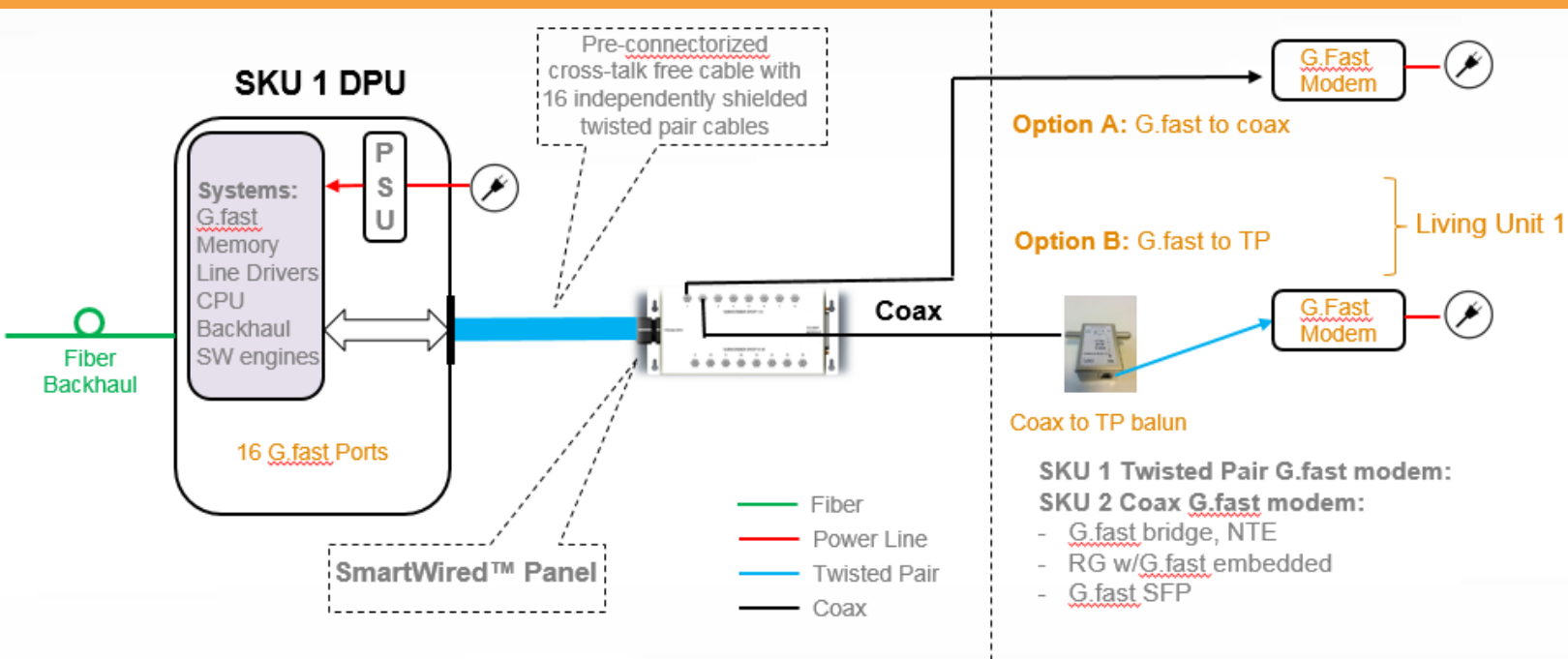
- ✓ Simple, easy, and affordable G.fast installations
- ✓ Eliminates the need of having multiple DPU SKUs for hybrid installations
- ✓ Converts 16 twisted pairs cables to coax.
- ✓ Extracts the reverse power feed (RPF) coming out from CPEs
- ✓ For RPF scenarios works in conjunction with LEA's RPF Controller to reverse power feed the DPU
- ✓ Single RJ21 connection to LEA's RPF controller

## Applications and Key Features

- Enables the use of a single DPU SKU for all type of hybrid installations
- Reduce overall cost of ownership: IT system integration, risks, installation times and costs
- Addition of RPF only when it is needed, pay-as-you-go on reverse power feed
- G.fast SmartWired™ module options:
  - 1) Twisted Pair
  - 2) Coax
  - 3) Triplexer
- Maintains signal integrity
- Scalable as per G.fast port count increase.



# Pictures and Use Cases



## Technical Specifications

### Protocol/Standards

- G.fast ITU-T G.9700/G.9701
- Based on ETSI TS 101 548 RPFA-NOP architecture
- Able to work with PSE SR3 21W

### G.fast

- G.fast 2-212 MHz
- Cross-talk below -50dB
- Insertion loss <1 dB
- Max current rating for DC of 350mA
- Works under DTA deployment scenarios

### Physical Interface

- Pre-connectorized 16 individual-shielded twisted pair cables from DPU. Connector, DPU vendor dependent
- 16 coax female "F" connectors to subscriber drop, 75 ohms unbalanced
- RJ21 power extractor feed to RPF controller, 16 lines DC

### Options

- 4/8/16 ports
- RF Input for video integration
- Reverse power feed module
- DPU connector

### Casing

- Power coated metal casing
- Wall mounted

### Power

- Power efficient design

### Certification

- UL/CSA 60950-1 listed
- FCC part 15, class A
- RoHS

### Environment

- Operating Temperature: -40<sup>0</sup> F to 165<sup>0</sup> F (40<sup>0</sup>C to 65<sup>0</sup> C)
- Storage Temperature: TBD

### Physical (w/o cable)

- Dimensions: 10.6 x 6 x 2" (27 x 15 x 5 cm)
- Weight: 1.8 lbs. (.82 kg)